

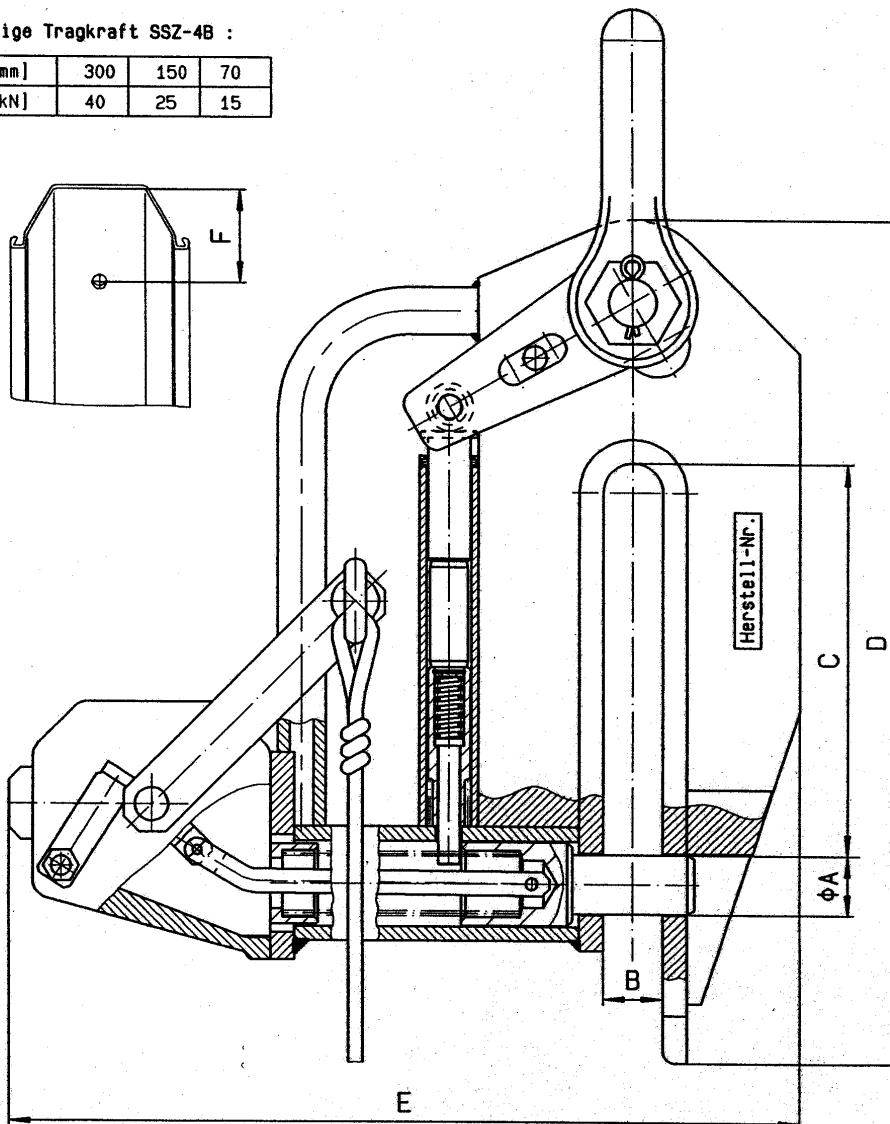


|   |                                 |
|---|---------------------------------|
| <b>Sicherheitszangen</b><br>ground release shackles | <b>TA 0321</b>                  |
|   | Dat.: 15.01.1993<br>Name: Nebel |

| Typ    | Abmessungen (mm) |    |     |     |     | Gewicht (kg) | Zulässiges Bohllengewicht |
|--------|------------------|----|-----|-----|-----|--------------|---------------------------|
|        | A                | B  | C   | D   | E   |              |                           |
| SSZ-3B | 25               | 25 | 165 | 355 | 332 | 15,0         | 30 kN (3to)               |
| SSZ-4B | 29.5             | 26 | 293 | 480 | 365 | 24,0         | abhängig von Maß F        |
| SSZ-5B | 29.5             | 30 | 197 | 382 | 365 | 25,5         | 50 kN (5to)               |

Zulässige Tragkraft SSZ-4B :

|        |     |     |    |
|--------|-----|-----|----|
| F [mm] | 300 | 150 | 70 |
| G [kN] | 40  | 25  | 15 |



Subject to Technical modifications

|  |   |  |
|--|---|--|
| Distributed in Australia & New Zealand by <b>ThyssenKrupp Steelcom</b><br>A company of ThyssenKrupp Services   |   |  |
| PO Box 840 North Sydney<br>NSW 2059 Australia<br>T: +61 2 9954 9166<br>Sales +61 2 4966 0688<br>F: +61 2 9955 4298<br>enquiries@steelcom.com.au<br>www.steelcom.com.au | PO Box 51254 Pakuranga<br>Auckland 2140 New Zealand<br>T: +64 9 576 3977<br>F: +64 9 576 3978<br>afenn@steelcomnz.co.nz<br>www.steelcomnz.co.nz |  |