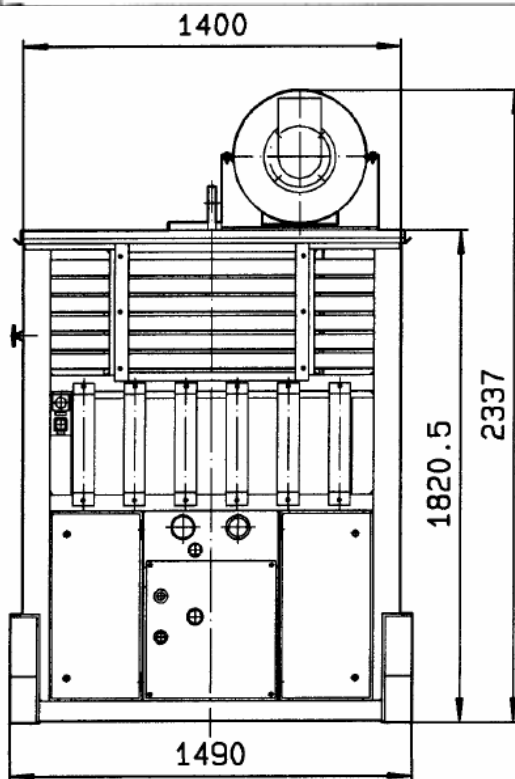
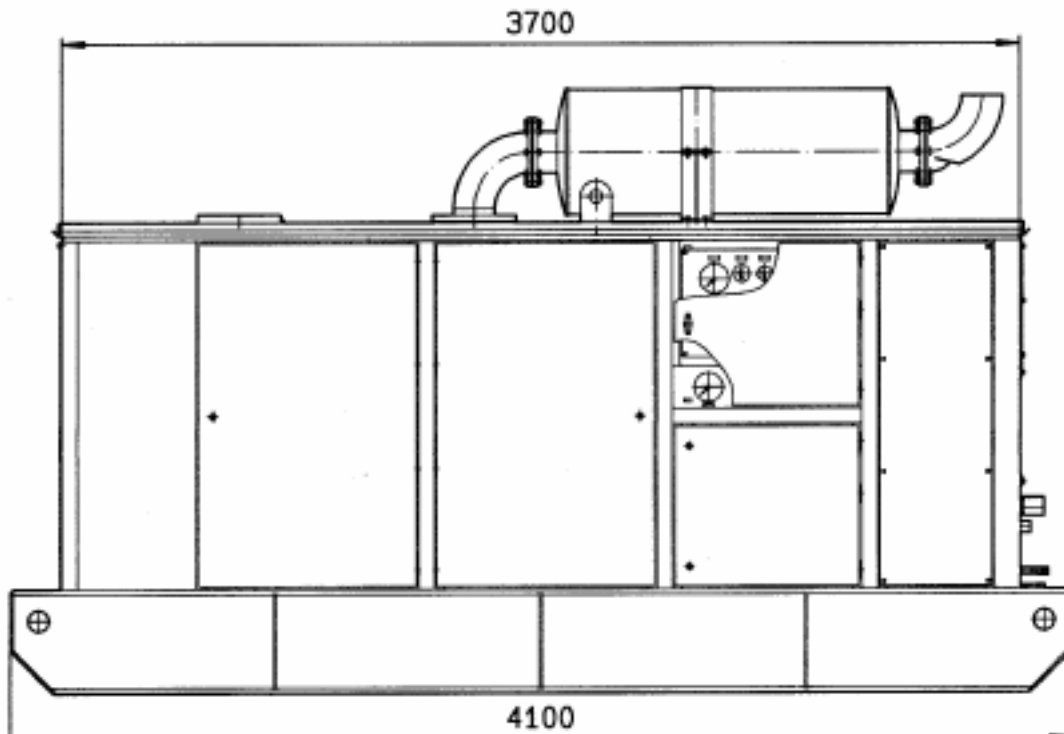




<b>Diesel-Antriebsaggregat</b> diesel power pack <b>MS-A 245/2</b>	<b>TA 0326</b>  Dat.: 01.02.1992 Name:
--	---



**TECHNISCHE DATEN:**

**TECHNICAL DATA:**

**CARACTERISTIQUES TECHNIQUES:**

**Dieselmotor: Diesel engine: Diesel moteur:**

Leistung  
Capacity                      kW        242  
Capacité

Drehzahl  
Speed                              min<sup>-1</sup> 2100  
Nombre de tours

Dieseltank  
Diesel tank                      Ltr.     450  
Diesel chaise

**Pumpe: pump: Pompe:**

Fördermenge  
Delivery                              Ltr./min 378  
Capacité d' extraction

Druck  
Pressure                              p max bar     350  
Compression

Öltank  
Oil tank                                Ltr.     235  
Huile chaise

**Gesamtgewicht**  
Weight                                      to        5.5  
Poids

Subject to Technical modifications

Distributed in Australia & New Zealand by <b>ThyssenKrupp Steelcom</b> A company of ThyssenKrupp Services	
PO Box 840 North Sydney NSW 2059 Australia T: +61 2 9954 9166 Sales +61 2 4966 0688 F: +61 2 9955 4298 enquiries@steelcom.com.au www.steelcom.com.au	PO Box 51254 Pakuranga Auckland 2140 New Zealand T: +64 9 576 3977  F: +64 9 576 3978 afenn@steelcomnz.co.nz www.steelcomnz.co.nz

