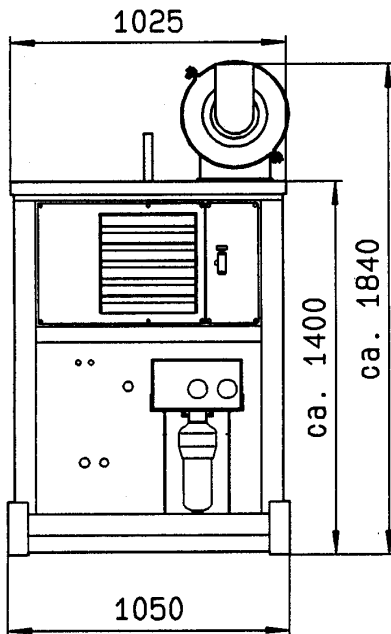
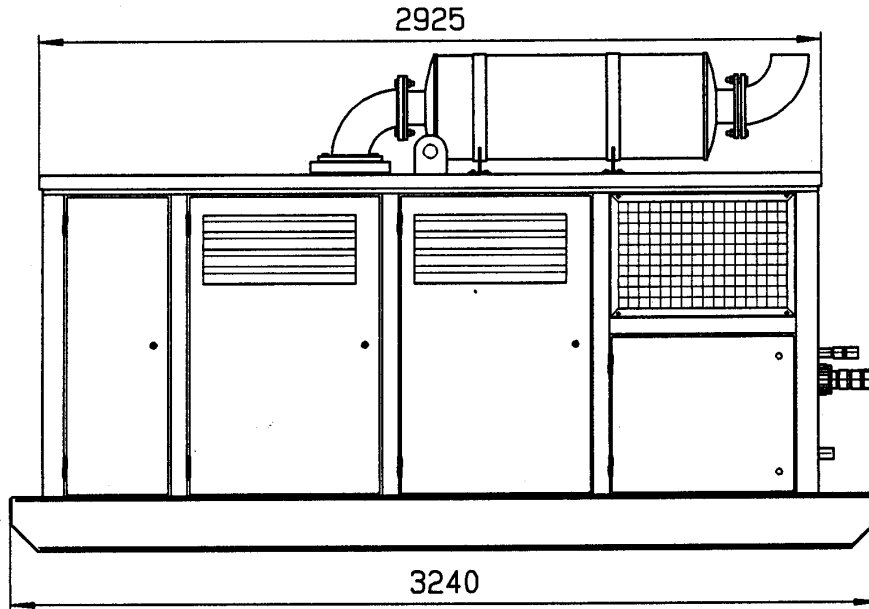




Antriebsaggregat power pack MS-A 112 (V)*	TA 0663 Dat.: 03.02.2004 Name: Riehl
---	---



TECHNISCHE DATEN:
 TECHNICAL DATA:
 CARACTERISTIQUES TECHNIQUES:

Dieselmotor:	Diesel engine:	Diesel moteur:	
Leistung			
Capacity	kw		112
Capacité			
Drehzahl			
Speed	min ⁻¹		2200
Nombre de tours			
Dieseltank			
Diesel tank	Ltr.		210
Diesel chaise			
Pumpe: Pump: Pompe:			
Fördermenge			
Delivery	Ltr./min		260
Capacité d'extraction			
Druck			
Pressure	p max bar		380
Compression			
Öltank			
Oil tank	Ltr.		150
Huile chaise			
Gesamtgewicht: Weight: Poids:			
		to	2.6

* optional mit Amplitudenverstellung
 optional with amplitude adjustment
 optional avec adjustment amplitude

Subject to Technical modifications

Distributed in Australia & New Zealand by ThyssenKrupp Steelcom A company of ThyssenKrupp Services	
PO Box 840 North Sydney NSW 2059 Australia T: +61 2 9954 9166 Sales +61 2 4966 0688 F: +61 2 9955 4298 enquiries@steelcom.com.au www.steelcom.com.au	PO Box 51254 Pakuranga Auckland 2140 New Zealand T: +64 9 576 3977 F: +64 9 576 3978 afenn@steelcomnz.co.nz www.steelcomnz.co.nz