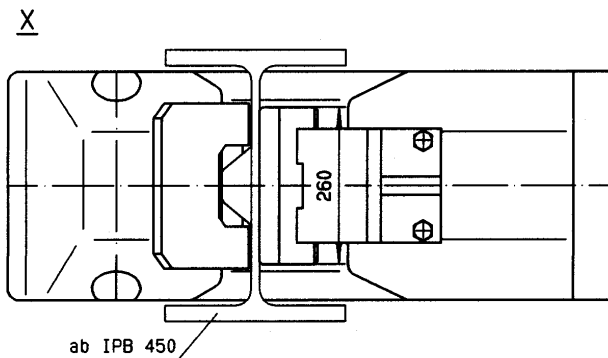
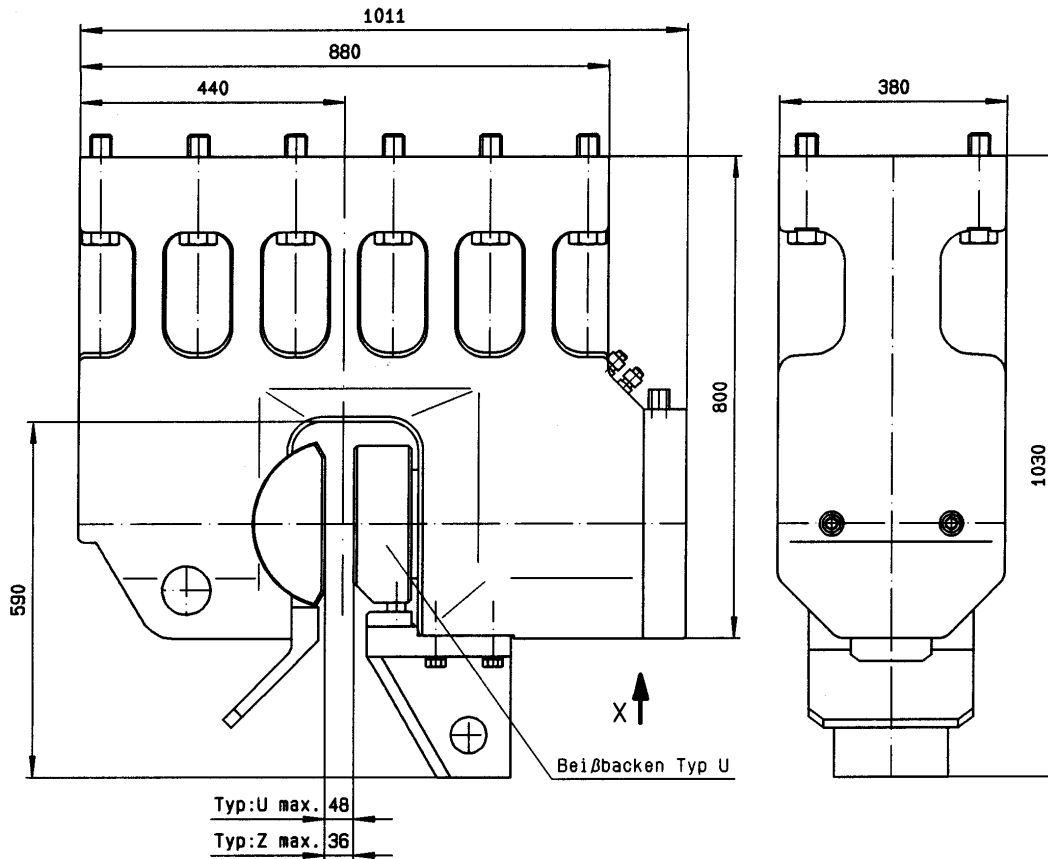




Spannvorrichtung clamping device MS-U 200 A	TA 0874 Dat.: 22.04.2002 Name: Honig
---	---



Spannkraft :
 clamping power :
 max. 2000 kN

Spanndruck :
 clamping pressure :
 max. 350 bar

Gewicht :
 weight :
 1600 kg

Subject to Technical modifications

Distributed in Australia & New Zealand by ThyssenKrupp Steelcom A company of ThyssenKrupp Services	
PO Box 840 North Sydney NSW 2059 Australia T: +61 2 9954 9166 Sales +61 2 4966 0688 F: +61 2 9955 4298 enquiries@steelcom.com.au www.steelcom.com.au	PO Box 51254 Pakuranga Auckland 2140 New Zealand T: +64 9 576 3977 F: +64 9 576 3978 afenn@steelcomnz.co.nz www.steelcomnz.co.nz

ThyssenKrupp

Herstellung und Verkauf von
MULLER
 Ramm- u. Ziehtechnik