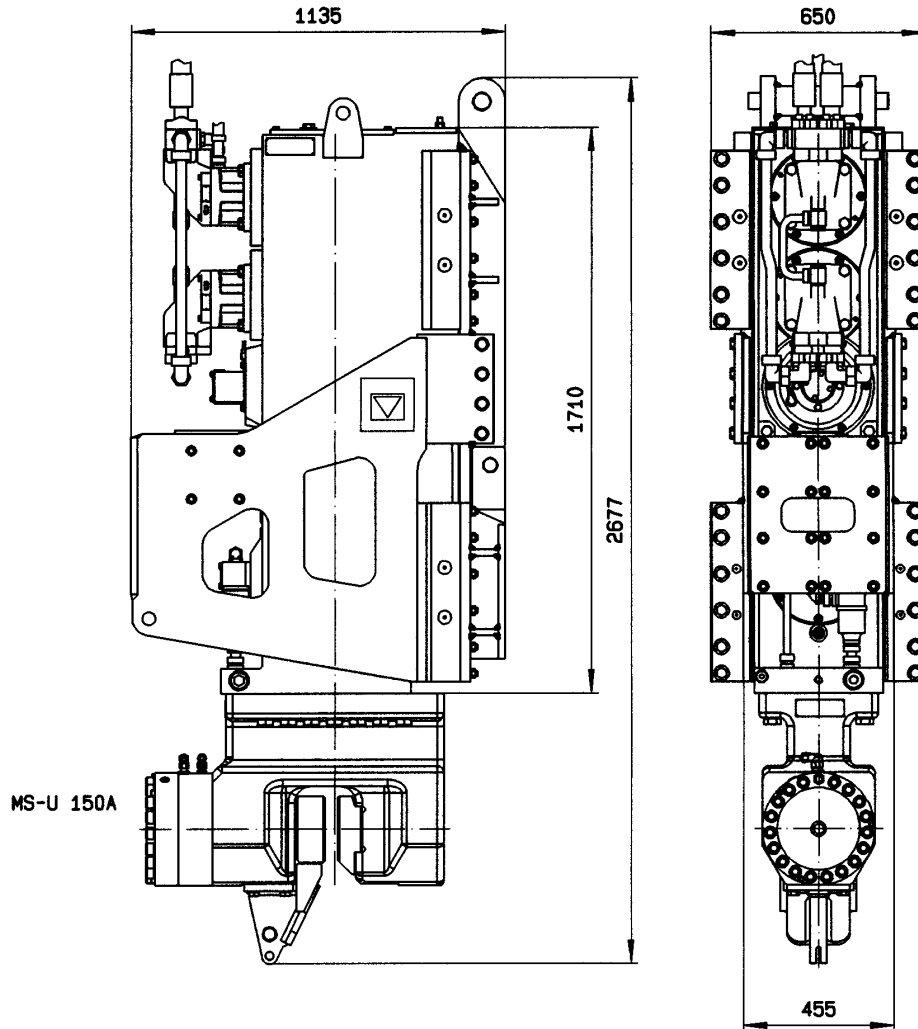




<b>Müller-Vibrator</b>  <b>MS-16 HFMV</b>	<b>TA 1026</b>  Dat.: 18.08.2004 Name: Honig
---	---



## TECHNISCHE DATEN / TECHNICAL DATA

### Vibrator

Fliehkraft	centrifugal force	kN	max.	986
Exzentermoment	eccentric moment	kgm		0-16
Schwingungsfrequenz	oscillation frequency	Hz	max.	39.5
Zugkraft	pulling force	kN	max.	180
Gewicht *	weight *	kg		3980
Gewicht (dynamisch)*	weight (dynamic)*	kg		2930

Volumenstrom	volume input	l/min	max.	523	Option
Betriebsdruck	working pressure	bar	max.	350	624

\*mit Spannzange      \*with clamping device

Zentralumlaufschmierung der Hauptlager ohne Ölkühlung.  
 Centreliced force-feed lubrication to the main bearings without cooling.

Subject to Technical modifications

Distributed in Australia & New Zealand by <b>ThyssenKrupp Steelcom</b> <small>A company of ThyssenKrupp Services</small>		
PO Box 840 North Sydney NSW 2059 Australia T: + 61 2 9954 9166 Sales + 61 2 4966 0688 F: + 61 2 9955 4298 enquiries@steelcom.com.au www.steelcom.com.au	PO Box 51254 Pakuranga Auckland 2140 New Zealand T: + 64 9 576 3977  F: + 64 9 576 3978 afenn@steelcomnz.co.nz www.steelcomnz.co.nz	