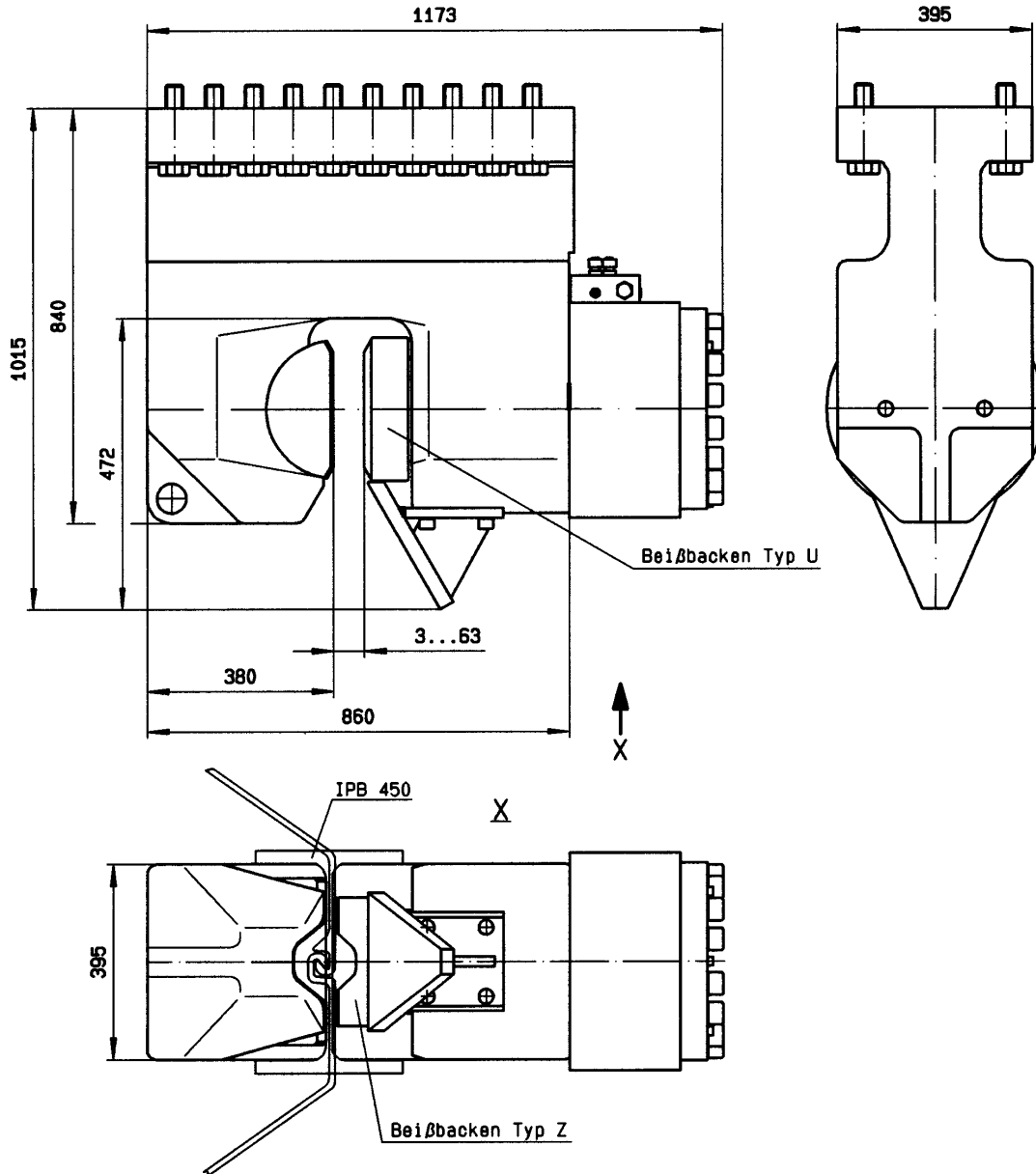


ThyssenKrupp GfT Tiefbautechnik



Spannvorrichtung clamping device MS-U 250 A	TA 1045 Dat.: 16.12.2004 Name: Riehl
---	---



Spannkraft:
clamping power:
max. 2500 kN

Spanndruck:
clamping pressure:
max. 350 bar

Gewicht:
weight:
1950 kg

Subject to Technical modifications

Distributed in Australia & New Zealand by ThyssenKrupp Steelcom A company of ThyssenKrupp Services		
PO Box 840 North Sydney NSW 2059 Australia T: +61 2 9954 9166 Sales +61 2 4966 0688 F: +61 2 9955 4298 enquiries@steelcom.com.au www.steelcom.com.au	PO Box 51254 Pakuranga Auckland 2140 New Zealand T: +64 9 576 3977 F: +64 9 576 3978 afenn@steelcomnz.co.nz www.steelcomnz.co.nz	

Herstellung und Verkauf von
MULLER
 Ramm- u. Ziehtechnik