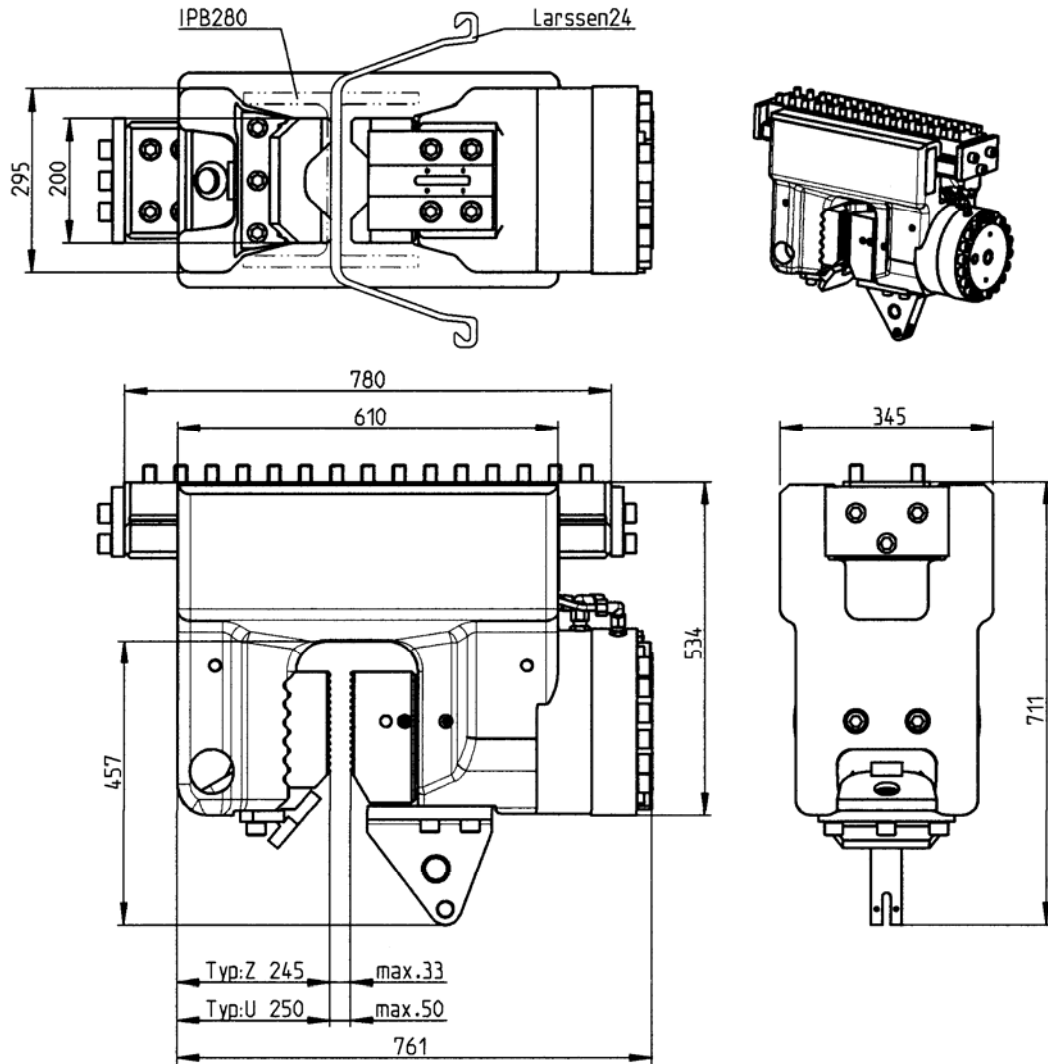




Müller-Spannvorrichtung clamping device MS-U 100 GP	TA 1120 Dat.: 11.08.2006 Name: Honig
---	---



TECHNISCHE DATEN

Spannkraft, max.
 Spanndruck, max.
 Gewicht

TECHNICAL DATA

clamping power, max.
 clamping pressure, max.
 weight

1000 [kN]
 350 [bar]
 750 [kg]

Artikel-Nr. / ID-no.

50075400

Subject to Technical modifications

Distributed in Australia & New Zealand by ThyssenKrupp Steelcom <small>A company of ThyssenKrupp Services</small>		 ThyssenKrupp
PO Box 840 North Sydney NSW 2059 Australia T: +61 2 9954 9166 Sales +61 2 4966 0688 F: +61 2 9955 4298 enquiries@steelcom.com.au www.steelcom.com.au	PO Box 51254 Pakuranga Auckland 2140 New Zealand T: +64 9 576 3977 F: +64 9 576 3978 afenn@steelcomnz.co.nz www.steelcomnz.co.nz	