

# Trench sheets and light weight sections.



OK

KD VI/6

KD VI/8

KL 3/4

KL 3/5

KL 3/6

KL 3/7

KL 3/8

40

145

UK



# Trench sheets and light weight sections. Safe. Efficient. Reliable.

32

ThyssenKrupp GfT Bautechnik supplies a competitive range of trench sheets and light weight sections from its own in-house production.

As a leading service provider to the construction industry we ensure fast, on-time delivery of cost-effective products designed for smooth installation.

60



## Trench sheeting sections

Trench sheeting sections are used to reliably shore trenches, shafts and excavations. They are used when the water tightness of an interlocked section is not necessary.

To facilitate repeated driving, the sections display high shape stability. Their special shape makes them easy to install and stack. The sections are made in our cold rolling mill and are stocked in lengths up to 8 m. Exceptional lengths can be produced on request.

## Lightweight sections

Lightweight sections are mainly used for trench shoring in inner-city applications and for dike repair. The interlock joint on the lightweight section serves as a reliable hook. The sections are made in lengths of up to 12 m.

For structures with higher sealing requirements we supply light weight sections with interlock sealing, consisting of a permanently plastic bitumen compound. Light weight sections can also be fitted with System HOESCH interlock seals. All sections are subject to DIN material inspections and quality controls to guarantee safety, reliability and optimum driving properties.



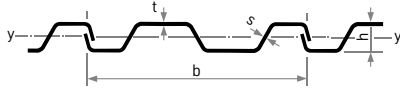
### Steel grade for trench sheets and light weight sections according to DIN EN 10249-1

| Steel grade | Tensile strength<br>N/mm <sup>2</sup> | Minimum yield point<br>N/mm <sup>2</sup> | Minimum elongation<br>% |
|-------------|---------------------------------------|--|-------------------------|
| S 275 JR    | 410                                   | 275                                      | 22                      |

# Technical Details.

## Trench sheeting sections

|         | Section modulus |          | Weight   |        | Second moment of inertia | Section width | Wall height | Back thickness | Web thickness |
|---------|-----------------|----------|----------|--------|--------------------------|---------------|-------------|----------------|---------------|
|         | $W_y$           | $cm^3/m$ | $kg/m^2$ | $kg/m$ |                          |               |             |                |               |
|         | Wall            | Wall     | Section  | Wall   | mm                       | mm            | mm          | mm             |               |
| KD VI/6 | 182             | 62.5     | 37.5     | 726    | 600                      | 78            |             | 6.0            |               |
| KD VI/8 | 242             | 83.3     | 50.0     | 968    | 600                      | 80            |             | 8.0            |               |



KD VI/6 no section that is available ex stock.

Available lengths: up to 12 m (from 12 m to 14 m on request)  
Warehouse lengths from 3 m to 8 m

The basis for billing is the weight of the single pile (kg/m).

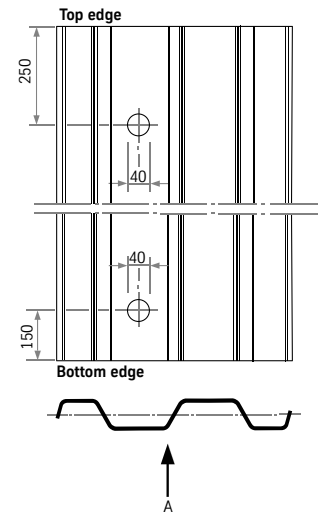
## Available trench sheeting

E



Trench sheeting is only supplied in single piles.

## Handling holes in trench sheeting sections

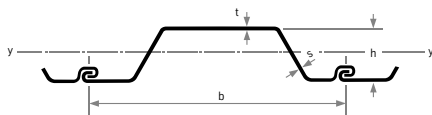


Trench sheeting is supplied with handling holes.

The holes are applied at both ends, as shown in the drawing.

## Lightweight sections

|         | Section modulus |          | Weight      |        | Second moment of inertia | Section width | Wall height | Back thickness | Web thickness |
|---------|-----------------|----------|-------------|--------|--------------------------|---------------|-------------|----------------|---------------|
|         | $W_y$           | $cm^3/m$ | $kg/m^2$    | $kg/m$ |                          |               |             |                |               |
|         | Wall            | Wall     | Singel-pile | Wall   | mm                       | mm            | mm          | mm             |               |
| KL 3/4* | 276             | 45.2     | 31.6        | 2042   | 700                      | 146           |             | 4.0            |               |
| KL 3/5  | 339             | 55.8     | 39.1        | 2502   | 700                      | 147           |             | 5.0            |               |
| KL 3/6  | 410             | 66.0     | 46.2        | 3080   | 700                      | 148           |             | 6.0            |               |
| KL 3/7* | 460             | 78.0     | 54.6        | 3500   | 700                      | 149           |             | 7.0            |               |
| KL 3/8  | 540             | 88.0     | 61.5        | 4050   | 700                      | 150           |             | 8.0            |               |

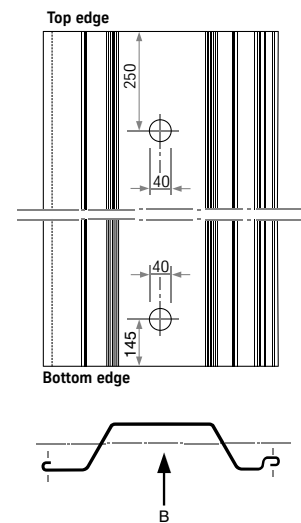


\*No section that is available ex stock.

Available lengths: up to 12 m (from 12 m to 14 m on request)  
Warehouse lengths from 3 m to 8 m

The basis for billing is the weight of the single pile (kg/m).

## Handling holes in lightweight sections



**b-position** = Standard form  
Handling hole = 250 mm from top edge  
145 mm from bottom edge

**a-position** = Non-standard form  
Handling hole = 145 mm from top edge  
250 mm from bottom edge

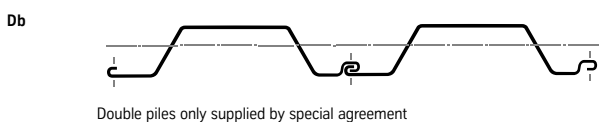
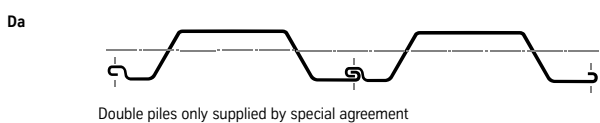
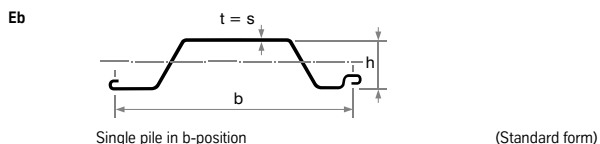
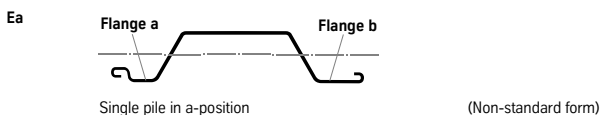
Lightweight sections are supplied with handling holes. The holes are applied at both ends, as shown in the drawing.

Double piles, which we only supply by special agreement, can be welded in the interlock on one side at the top and bottom.

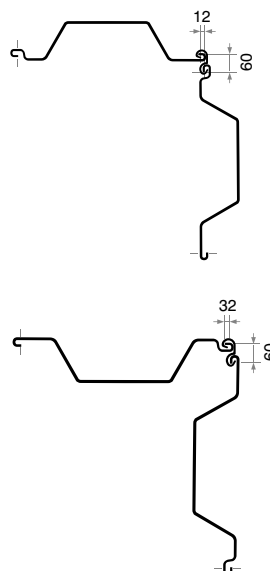
**The weld seam length is as follows:**  
• 0.20 m for pile lengths up to 3.0 m  
• 0.25 m for pile lengths of 3.0 to 6.0 m  
• 0.35 m for pile lengths of 6.0 to 9.0 m

**Note:**  
When lifting unwelded double or multiple piles on the site, each pile must be suspended from a lifting hook.

## Available KL lightweight sections



## Corner piles with Wall sections V 20



### **ThyssenKrupp GfT Bautechnik GmbH**

P.O. Box 10 22 53, 45022 Essen, Germany  
Altendorfer Strasse 120, 45143 Essen, Germany  
Phone: +49 201 188-2313  
Fax: +49 201 188-2333  
bautechnik@thyssenkrupp.com  
www.tkgftbautechnik.com

### **Export**

Altendorfer Strasse 120, 45143 Essen, Germany  
Phone: +49 201 188-3758  
Fax: +49 201 188-3974  
export-bautechnik@thyssenkrupp.com

### **Eastern Europe**

Altendorfer Strasse 120, 45143 Essen, Germany  
Phone: +49 201 188-3769  
Fax: +49 201 188-3730  
osteuropa-bautechnik@thyssenkrupp.com

Represented by:

Distributed in Australia & New Zealand by **ThyssenKrupp Steelcom**  
A company of ThyssenKrupp Services

PO Box 840 North Sydney  
NSW 2059 Australia  
T: +61 2 9954 9166  
Sales +61 2 4966 0688  
F: +61 2 9955 4298  
enquiries@steelcom.com.au  
www.steelcom.com.au

PO Box 51254 Pakuranga  
Auckland 2140 New Zealand  
T: +64 9 576 3977  
F: +64 9 576 3978  
afenn@steelcomnz.co.nz  
www.steelcomnz.co.nz



ThyssenKrupp

